

Carton Requirements

It is the vendor’s responsibility to assure that the appropriate sized shipping carton is used for the type and size of product. Shipping cartons shall be Regular Slotted Containers (RSC).

CARTON STRENGTH

Cartons must be constructed of corrugated cardboard (Kraft paper) with a minimum bursting strength of 200 lbs. per square inch (14.062 kg/sq. cm) to prevent crushing; C-flute, 32 ECT, Single-wall (3 ply) corrugated cardboard.

The manufacturer’s joint must be glued or you can use fiberglass-reinforced tape. Cardboard material may contain new or recycled material providing that the required bursting strength is maintained.

SIZE AND WEIGHT RESTRICTIONS

All apparel must be shipped in the exact shipping carton dimensions outlined below. The same footprint (23” length x 17” width) is used for all four sizes. The height of the box changes with the associated merchandise to be packed. No over packed/bulging cartons are allowed, as they will put a carton outside of the acceptable size range.

Cartons must not exceed 40 lbs. (18 kgs.) gross weight.

Mod 1	Mod 2	Catalog division only Mod 3	Mod 5
23" x 17" x 5.5" (58.42cm x 43.18cm x 13.97 cm)	23" x 17" x 11" (58.42 cm x 43.18 cm x 27.94 cm)	23" x 17" x 22" (58.42 cm x 43.18 cm x 55.88 cm)	23" x 17" x 16" (58.42 cm x 43.18 cm x 40.64 cm)
Max. 40lbs. / 18.14 kgs.	Max. 40lbs. / 18.14 kgs..	Max. 40lbs. / 18.14 kgs..	Max. 40lbs. / 18.14 kgs.
pants, shorts, accessories, small hardware items, swimsuits, camisoles	most apparel items: sweaters, skirts, knit & woven shirts, sweatshirts, polos, small hard-line items	high volume, low density items (bulky outerwear), large boxed items, footwear	high volume, low density items (bulky outerwear), boxed apparel, hard-line items

EXCEPTIONS TO STANDARD CARTON REQUIREMENTS

- Excessive size and weight
 - o If your item is larger than 22.5” x 16.5” x 7.75” (57.15cm x 41.91cm x 19.69cm) and/or weighs more than 10 lbs., it is considered to be a separate ship (bulk) item. Your separate ship item needs to be marked “SEPARATE SHIP” on the carton and will be routed through our Distribution Center by an alternate method.
 - o The separate ship item (or a set sold as one unit) must be packed one per shipping carton. The carton should be sized to fit the item so there is less than one-inch (1”) void space on any given side. A poly-bag may be required to protect the item from rubbing against the inside of the carton.
 - o Follow all standard carton packing, sealing, and marking guidelines.
 - o Cartons between 70 lbs. – 150 lbs. (31.81 kgs. – 68.18 kgs.) must be labeled “HEAVY PACKAGE” and the actual weight shall be printed on the label to comply with UPS shipping requirements for overweight packages. Separate ship cartons exceeding 150 lbs. shall be considered freight.
 - o Hanging apparel items ship using a “coffin” style corrugated container. (See the hanging packing method for direction and guidelines and/or exceptions to the folded method.)

- **Case-packs**
Your Eddie Bauer designated representative will contact you if you can do case-packs. Case-packs are used as a distribution lot to route quicker to our retail stores. You may use the following range of carton dimensions to pack your case-pack items. The following are the minimum and maximum constraints for case-packs.
 - o If your carton dimensions are smaller than 13" x 8" x 4" (33cm x 20.3cm x 10.2cm) it must be treated as an inner pack and multiple small cartons should be packed into an acceptable size carton. Contact the Eddie Bauer Packaging Developer to confirm correct packing.
 - o If your carton dimensions are greater than 24" x 18" x 20" (61cm x 45.7cm x 50.8cm) or over 50 lbs. (22.73 Kg), contact the Eddie Bauer Packaging Developer for next steps.
- **Non-Apparel Shipping Cartons**
Eddie Bauer will allow you to send Non-Apparel items in alternate shipping cartons as long as the dimensions fall within the range below. No over packed/bulging cartons are allowed, as they will put a carton outside of the acceptable size range.

Direct (Catalog / E-Commerce) Shipping Cartons		
Length	20.5" to 24"	53.3 cm to 63.5 cm
Width	16" to 17.75"	41.9 cm to 45.1 cm
Height	5" to 22"	12.7 cm to 55.9 cm
Retail Shipping Cartons		
Length	13" to 24"	33 cm to 61 cm
Width	8" to 18"	20.3 cm to 45.7 cm
Height	4" to 20"	10.2 cm to 50.8 cm

CARTON SEALING

The top and bottom of every carton must be sealed with security tape or a minimum 2" (5.1 cm) clear box tape. The tape must not interfere with any carton markings. Use only one kind of tape.

CPTAT recommendation: use tape printed with unique identifier such as factory name or logo to discourage unlawful opening of cartons.

Tape must be moisture/temperature resistant and have an adhesive quality that resists drying in transit.

Package closure must maintain interior cleanliness and ensure that the contents remain intact during shipping and handling.

Seal cartons in such a manner as to avoid gaps by using the "H-seal pattern". See figure A.

Do not use metal staples, bands, or straps to seal cartons. This carton-sealing method presents a safety hazard and may cause handling problems in the Eddie Bauer Distribution Center's automated conveyor system.

CARTON MARKINGS

Every carton must have a Carton SKU Bar Code Label in the upper left hand corner of the carton end panel. Additionally, the carton shall be marked with the following information, see below illustration for specific placement and format:

End Panel-

- Purchase Order Number
- Total quantity of selling units in carton (sets are considered 1 unit). Do not count the number of inner packs.
- Carton sequencing number (in 'x' of 'y' format).
- Retail and Outlet store order shipments need to be properly marked on the end panel of each carton that the contents are ticketed. It should state "Retail vendor pre-ticketed Y or N". Circle Y (Yes) or N (No).
- ASN Barcode Label

Side Panel-

- Shipper's name & address
- Destination address
- Country of Origin
- Dimensions of carton

Each carton can be marked by either using either a label (see figure A) or pre-printed cartons (see figure B). All other carton markings must be large enough to be easily read and a minimum of 0.75 inches (1.9cm).

When applicable, mark "FRAGILE" in letters at least 3" (7.62cm) high. You may use the international symbols as well.

The last carton loaded for each purchase order must have the Packing List enclosed. It must be in a pack slip envelope and placed on the end panel, but not cover the required carton information. It must be facing the rear opening of the trailer. When the container is opened it should be clearly visible.

Use the directional arrow to show the direction in which cartons must be shipped and opened if necessary. This symbol must be at least 3" (7.62cm) high to be read visibly.

If you are shipping ceramic tableware, each shipping and retail carton must have a sticker/logo of CCIB/CIQ embossed with the registration number of the production facility that produced the ware on each shipping and retail carton. Here is an example of the CCIB Sticker/Logo that must be affixed to shipping cartons of ceramic tableware imported into the United States from CNCA-certified factories in China on or after January 1, 2000:



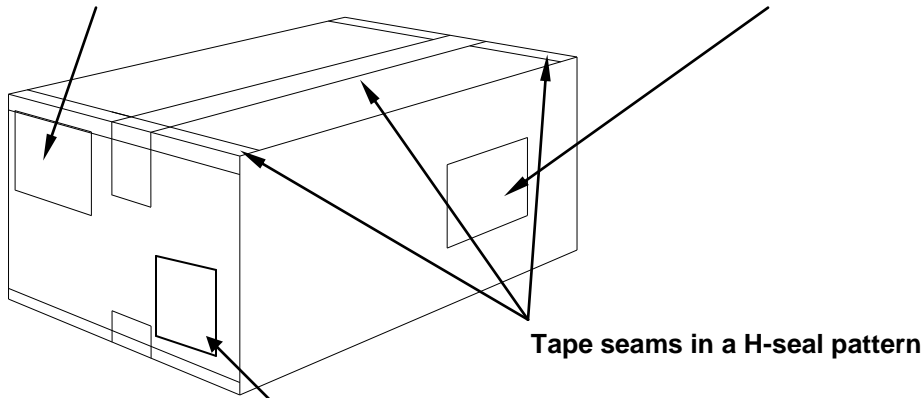
Larger Sticker / Logo for shipping cartons: actual size 25mm diameter, blue on white "H" with unique factory code.

Smaller sticker/logo for retail packaging cartons: actual size 15mm diameter, blue on white "H" with unique factory code.

Figure A

SKU Bar Code Label	12 of 526
PO#: E-0123456-0001	
Qty: <u> 18 </u>	
Retail Vendor Pre-ticketed	
(Y)	N

Ship From:	Vendor Name Shipper's Address
Ship To:	Eddie Bauer - EBFS 6755 Port Road Groveport, OH 43125 USA
Country of Origin:	China
Dimension:	23" x 17" x 11"



From: TSAM, Limited (Far East) 11/F, Manhattan Place 23 Wang Tai Rd Kowloon Bay, Kowloon 99999 HK	To: Eddie Bauer, LLC 6755 Port Rd Groveport, OH 43125 US
Ship to postal code (420) 43125	
PO: 92121 BUS: 0001 QTY: 20	
DEPT: 002	STYLE: 4485
COLOR: 502	SIZE: XL
0001	
SERIAL SHIPPING CONTAINER (00) 1 0028028 000015258 4	

ASN Bar Code Label

ALL VENDOR'S ARE TO PROVIDE ASN'S VIA GT NEXUS FACTORY MANAGEMENT FOR DETAILS CONTACT: service@gt nexus.com .

All shipping cartons will require an ASN barcode label. All labels must be a grade "A" quality based on ISO 15416 and will be evaluated as received into our facility. These labels must withstand the shipping process and arrive at the DC in grade "A" condition.

ASN Label Specifications:

- Dimensions 4" X 6" (101.6 mm x 152.4 mm)
- White label stock
- Thermal transfer printing (black ink) – ink must be resistant to smudging or smearing from contact against other cartons.

Advanced Ship Number GS1-128 SSCC18 Barcode Requirement:

- Barcode must follow GS1 SSCC18 Format
- Bar code height is a minimum of 1.25" (31.75 mm)
- Bar code x-dimension is a minimum of 19 mils
- Quiet zones on both ends of barcode are at least .25" (6.35 mm)
- Barcode print quality is grade "A" based on ISO 15416 standards

*For additional information pertaining to UPC specifications contact:

GS1 US (formerly Uniform Code Council, Inc.)
7887 Washington Village Drive, Suite 300
Dayton, Ohio, 45459-8605, USA
Phone 937.435.3870 Fax 937.435.7317
<http://www.gs1us.org/>


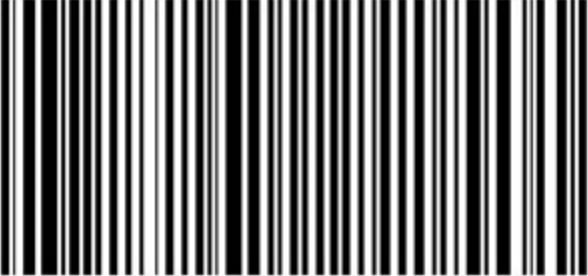
SOURCING ASN BAR CODE LABELS

Vendors are responsible for producing or purchasing their ASN Bar Code Label via GT Nexus Factory management software.

ASN bar code label examples:


Single Sku Case Label:

#:	Field:	Description:
1	Ship From Address	Factory Address, Including Vendor Code and Factory Code From PO
2	Ship To Postal Code	UCC/EAN-128 Barcode Of Eddie Bauer Postal Code
3	Eddie Bauer PO	Eddie Bauer Designated PO Number
4	Eddie Bauer Department	Eddie Bauer Designated 3 Digit Numeric Department Number
5	Eddie Bauer Business ID	Eddie Bauer Designated 4 Digit Numeric Business ID (large font)
6	Advanced Ship Number Human Readable	Human Readable Decode Of GS1 SSCC18 Barcode On Case
7	Advanced Ship Number Barcode	GS1-128 SSCC18 Unique Case Barcode
8	Eddie Bauer Style	Eddie Bauer Designated 4 Digit Numeric Style Code
9	Eddie Bauer Color	Eddie Bauer Designated 3 Digit Numeric Color Code
10	Eddie Bauer Size	Eddie Bauer Designated Alpha Numeric Size Description Up To 6 Digits
11	Eddie Bauer Business ID	Eddie Bauer Designated 4 Digit Numeric Business ID (small font)
12	Quantity	Quantity of items in the specific carton
13	Ship To Address	Eddie Bauer DC Address

From: TSAM, Limited (Far East) 11/F, Manhattan Place 23 Wang Tai Rd Kowloon Bay, Kowloon 99999 HK	To: Eddie Bauer, LLC 6755 Port Rd Groveport, OH 43125 US
Ship to postal code (420) 43125 	
PO: 92121 BUS: 0001 QTY: 20	
DEPT: 002 STYLE: 4485 COLOR: 502 SIZE: XL	
0001	
SERIAL SHIPPING CONTAINER (00) 1 0028028 000015258 4	
	

Mixed Sku Case Label (Exception):

#:	Field:	Description:
1	Ship From Address	Factory Address, Including Vendor Code and Factory Code From PO
2	Ship To Postal Code	UCC/EAN-128 Barcode Of Eddie Bauer Postal Code
3	Eddie Bauer PO	Eddie Bauer Designated PO Number
4	Eddie Bauer Department	Eddie Bauer Designated 3 Digit Numeric Department Number
5	Eddie Bauer Business ID	Eddie Bauer Designated 4 Digit Numeric Business ID (large font)
6	Advanced Ship Number Human Readable	Human Readable Decode Of GS1 SSSC18 Barcode On Case
7	Advanced Ship Number Barcode	GS1-128 SSSC18 Unique Case Barcode
8	Eddie Bauer Style	Eddie Bauer Designated 4 Digit Numeric Style Code
9	Eddie Bauer Color	Eddie Bauer Designated 3 Digit Numeric Color Code or "MIXED"
10	Eddie Bauer Size	Eddie Bauer Designated Alpha Numeric Size Description Up To 6 Digits or "MIXED"
11	Eddie Bauer Business ID	Eddie Bauer Designated 4 Digit Numeric Business ID (small font)
12	Quantity	Quantity of items in the specific carton
13	Ship To Address	Eddie Bauer DC Address

From: TSAM, Limited (Far East) 11/F, Manhattan Place 23 Wang Tai Rd Kowloon Bay, Kowloon 99999 HK	To: Eddie Bauer, LLC 6755 Port Rd Groveport, OH 43125 US
Ship to postal code (420) 43125 	
PO: 92121 BUS: 0001 QTY: 20	
DEPT: 002 STYLE: 4485 COLOR: 502 SIZE: MIXED	
0001	
SERIAL SHIPPING CONTAINER (00) 1 0028028 000015258 4 